

MDC-7220VTD

DOME CAMERA

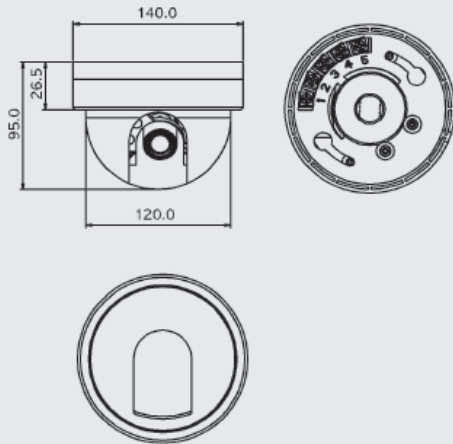


GENERAL FEATURUES

- 1/3" SONY Super HAD Color CCD (410K Pixels)
- 540 TV Lines
- Built in 4~9mm Filter changeable Varifocal DC Auto Iris Lens
- Excellent Auto Tracking White Balance
- Multi OSD function built-in
 - Privacy, Motion Detection, Mirror etc.
- ϕ 120 Indoor Dome Housing
- DC12V Power Source



DIMENSIONS(mm)



(ϕ 100, 3Axis)



(ϕ 120, 3Axis)

SPECIFICATIONS

MODEL	MDC-7220VTD	
ITEM	NTSC	PAL
Image Sensor	1/3" Sony Super HAD Color CCD	
Effective Pixel	768(H) \times 494(V) 380K	752(H) \times 582(V) 440K
Scanning System	525 Lines 2:1 Interlace	625 Lines 2:1 Interlace
Scanning Frequency	15.734KHz (H), 59.94Hz (V)	15.625KHz (H), 50Hz (V)
Resolution	540TV Lines	
Shutter Speed	1/60 ~ 1/100,000 sec	1/50 ~ 1/100,000 sec
S/N Ratio	More than 50dB (AGC off)	
Sync System	Internal	
Lens	4~9mm ICR Varifocal DC Auto Iris Lens	
Min. Illumination	0.5 Lux(Color) / 0.05 Lux(B/W) at F 1.2	
White Balance	ATW / AWC / MANUAL	
Video Output	Composite 1.0Vp-p(75 Ω load)	
Power Supply	DC12V \pm 10%	
Operating Temp.	-10 $^{\circ}$ C ~ +50 $^{\circ}$ C	
Operating Humidity	90% RH max.	
Dimension (m/m)	120mm Dome size	